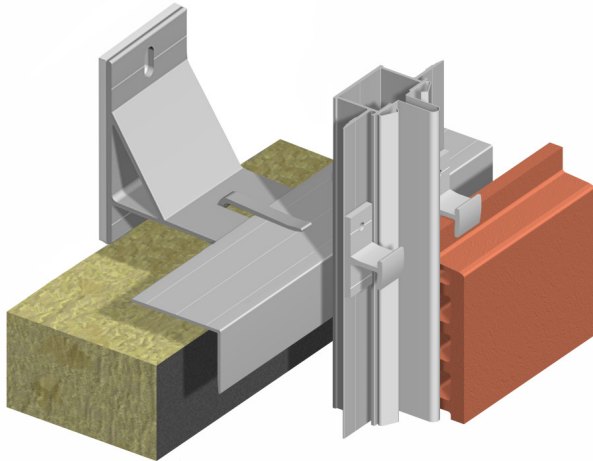


F2.22 Concealed Clip



Concealed clip fixing for double-skin terracotta tiles. Designed for TC30 and TC40, double-skin terracotta tiles, to limit water penetration and provide a mechanic clip solution for attachment. Clips are concealed in the tile ship-lap. For use with either stud or concrete construction.



ADVANTAGES



Shim Free System



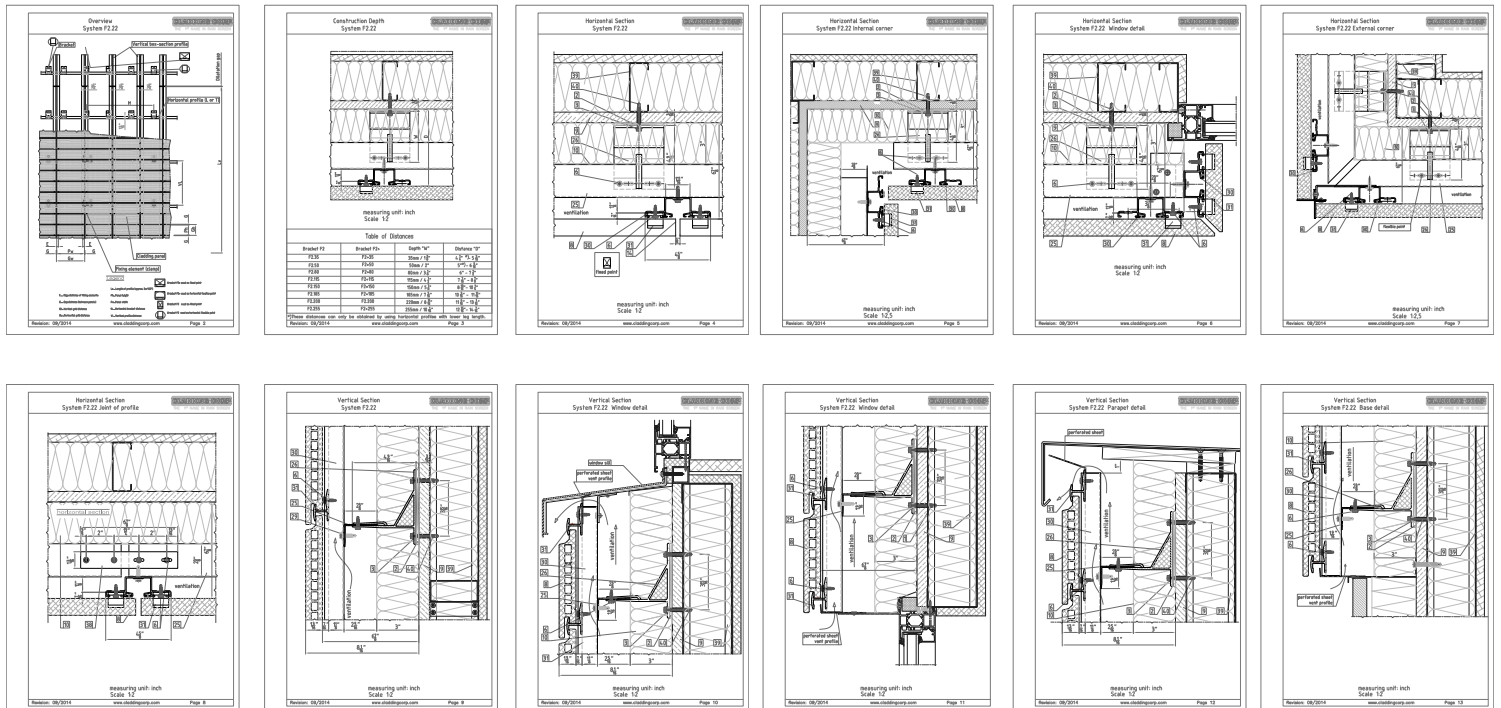
ASHRAE Compliant Wall



Continuous Insulation



Architectural Aluminum Grade



CLADDING CORP

THE 1ST NAME IN RAINSCREEN

888.826.8453

info@claddingcorp.com
www.claddingcorp.com

Details available in CAD or PDF version at <http://claddingcorp.com/downloads>