

SWISSPEARL® FIBER CEMENT RAINSCREEN

Human Performance Institute

An Inspired Spot for Research and Training in Orlando



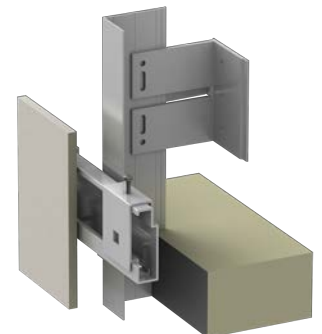
The Orlando-based Human Performance Institute was founded in 1991 and acquired by Johnson & Johnson in 2008. Johnson & Johnson invested \$18 million in a new research and training facility that will double as HPI’s global headquarters.

[Gensler's design](#) team incorporated large vertical [Swisspearl®](#) fiber cement panels to facade the building. The concealed ECO Cladding sub-framing system achieved the strict wind load requirements. The chemistry between the glass, fiber cement cladding and the landscaping, allows the building to inspire all those who enter.

System Type: Alpha Vci.40

Panel Type: Swisspearl®

Architect: [Gensler](#)



888-826-8453

CLADDING CORP

THE 1ST NAME IN RAINSCREEN